



Submersible Pump ESDP450

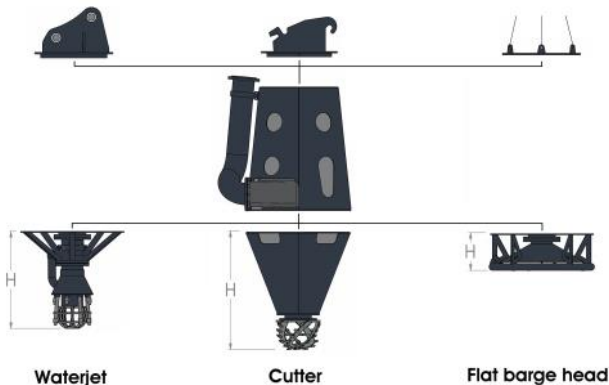
The Eureka dredge pump (EDP) handles a high concentration. It is used under water, powered by excavator or hydraulic power pack. Tools like a cutter head, sand head (water jet), flat barge head, auger head or others can be attached to this compact pump.

General information:

• Capacity max.	4500	*m ³ /hr
• Pump shaft speed max.	480	*rpm
• Max. power at shaft	680	*kW
• Suction diameter	450	mm
• Pressure diameter	400	mm
• Spherical passage	280	mm
• Blades	3	pcs
• Impeller size	1170	mm
• Weight (Hydro)	8800	kg
• Excavator weight	± 200	ton

* at 4½ bar.

Dredging Tools:



Water Jet

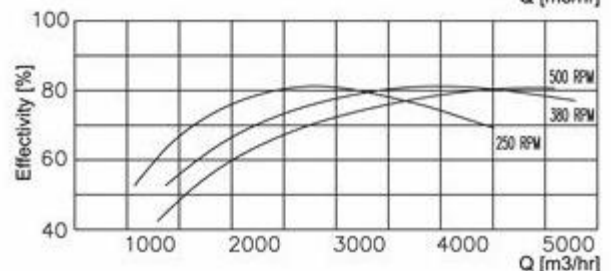
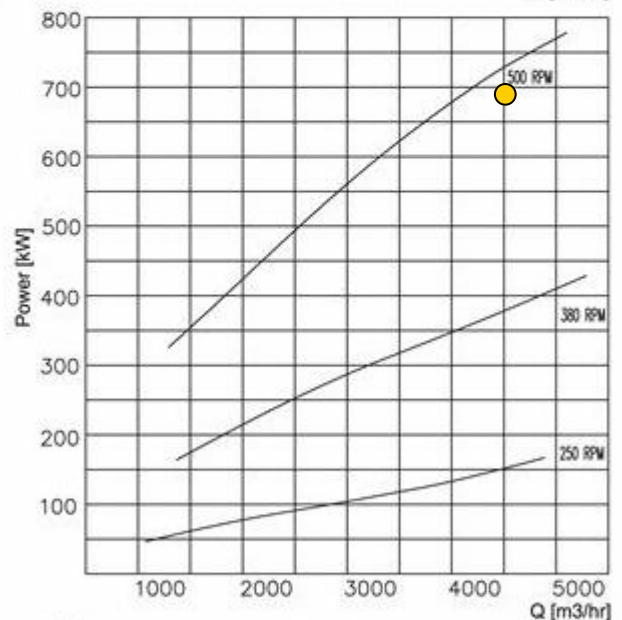
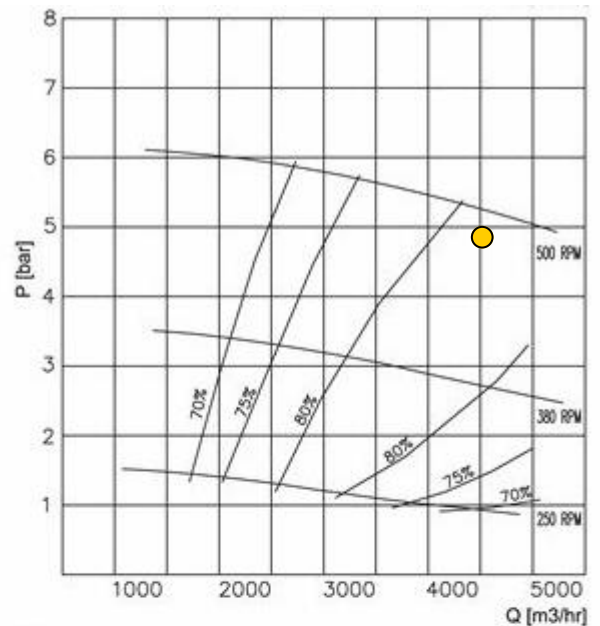
Pressure	8	bar
Water flow	1000	l/min
Height	1980	mm

Cutter Drive

Max. power at shaft	65	kW
Oil flow	160	l/min
Oil pressure P at motor*	250	bar
Height	2300	mm

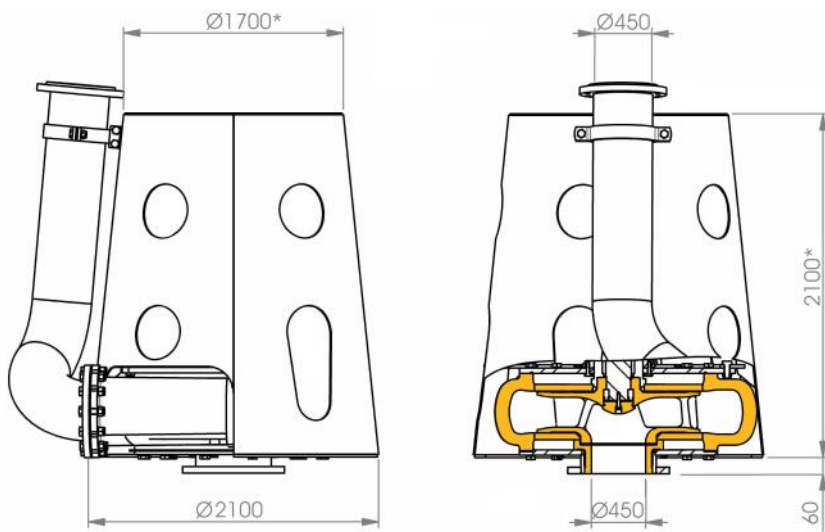
Flat Barge Head

Pressure	4-6	bar
Water flow	500	l/min
Height	610	mm

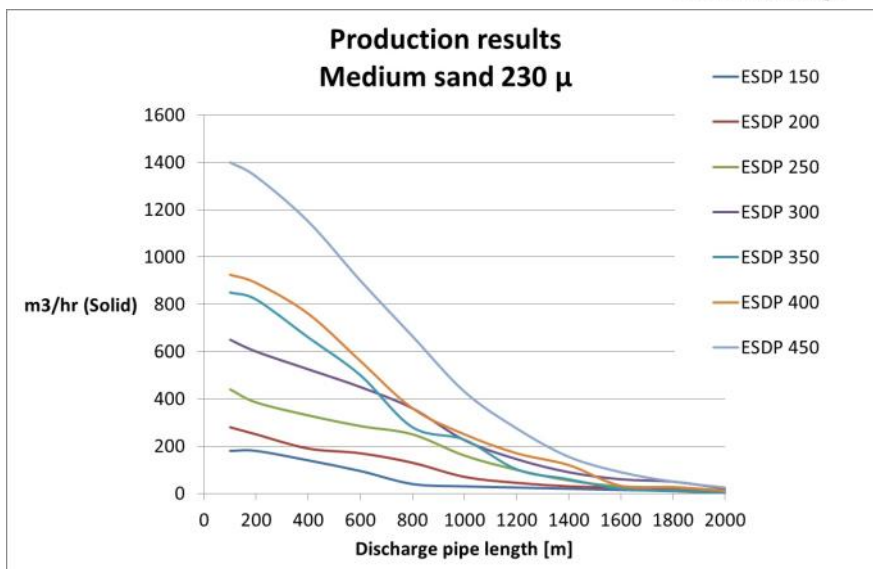


Submersible Dredge Pump ESDP450

Main dimensions:



*Preliminary design



Delivery Pipe



Water Jet Pump



Hydraulic Power Pack



Marsh crawler

EUREKA
www.eureka-bv.com

Maasstraat 3
NL-7071 VR ULFT
The Netherlands

Phone : 0 (031) 315 377 608
Fax : 0 (031) 315 377 609
Email : info@eureka-bv.com