



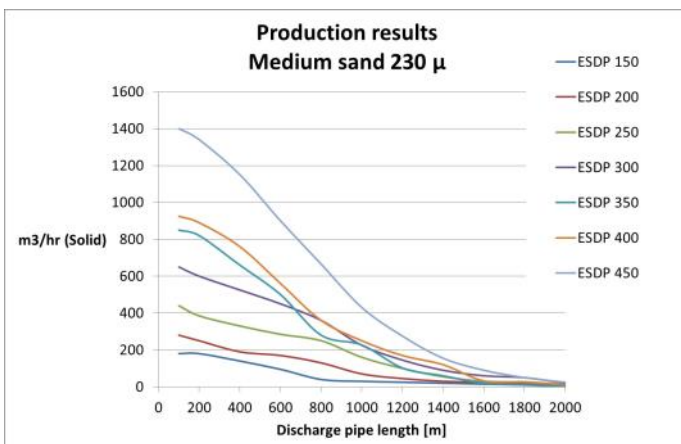
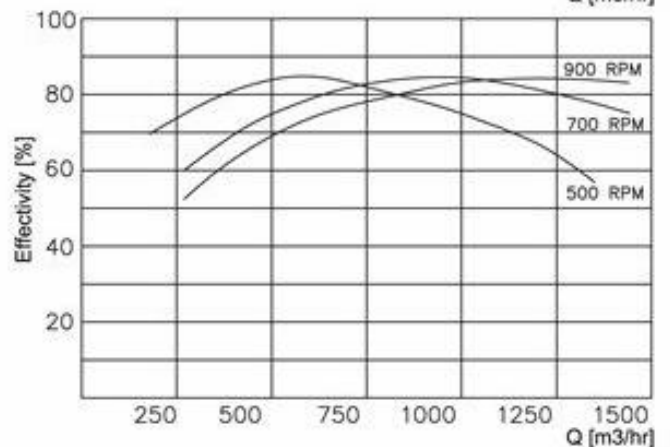
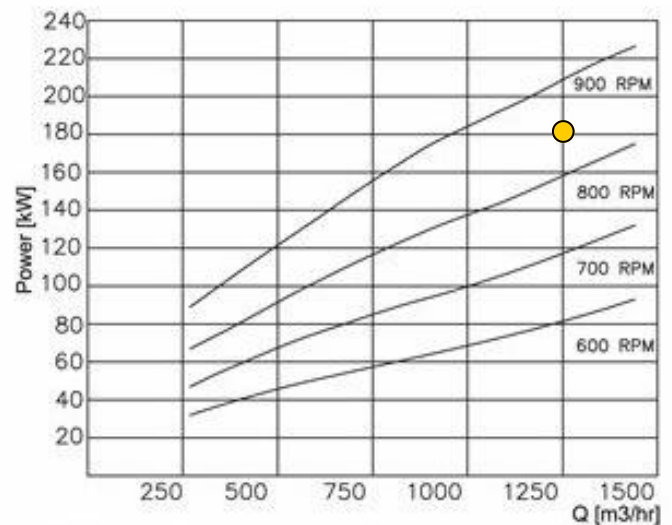
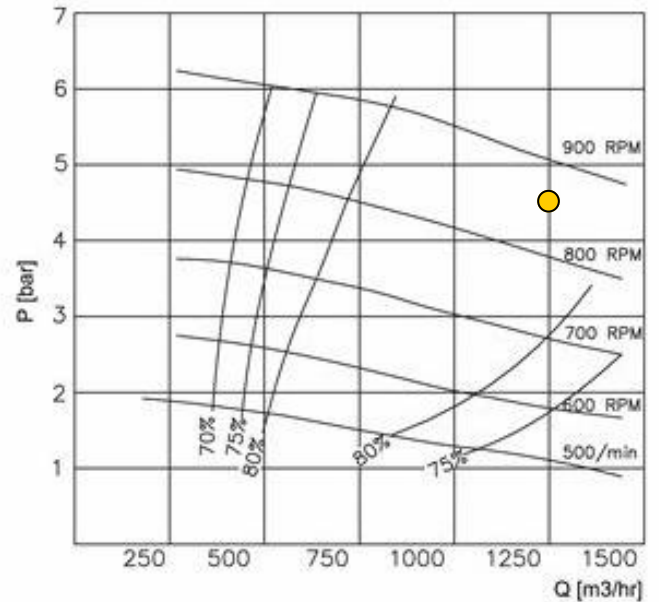
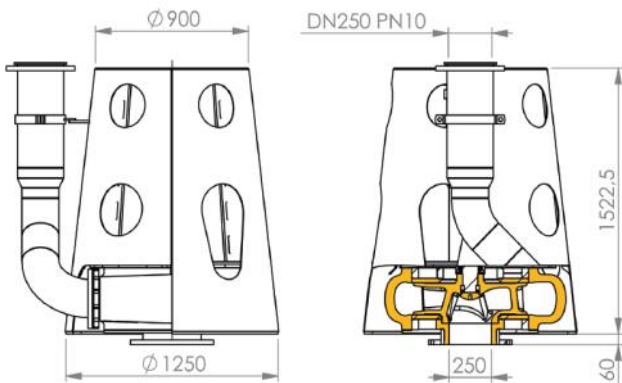
## Submersible Dredge Pump ESDP250

The Eureka submersible dredge pump (ESDP) is a high concentration, efficient, wear resistant and low maintenance dredge pump. Its use is for under water purpose in combination with several dredge tools.

### General information:

- Max. capacity mixture 1250 \*m<sup>3</sup>/hr
- Max. pump speed 850 \*rpm
- Max. power at shaft 185 \*kW
- Power source Hydraulic/Electric
- Suction diameter Ø250 mm
- Pressure diameter Ø200 mm
- Spherical passage Ø130 mm
- Impeller blades 3 pcs
- Impeller size 660 mm
- Wear parts Nihard 4 ±65 HRL
- Weight (Hydraulic) 2100 kg
- Weight (Electric) ..... kg

\* at 4½ bar.(water)



# Submersible Dredge Pump ESDP250

## Dredging Tools



Water Jet



Soft soil.  
Sand, gravel, silt, etc.



Cutter



Soft & hard soil.  
Clay, sand, gravel, silt,  
rock, etc.

### Water Jet

Jet Pressure	7	bar
Water flow	200	m <sup>3</sup> /hour
Water jet pump:		
Max. power at shaft	55	kW

Flat Barge Head



Bulk material.  
Sand, gravel, etc.

### Cutter Drive

Max. power at shaft	31	kW
Oil flow	93	l/min
Oil pressure P at motor	200	bar

### Flat Barge Head

Jet Pressure	4-6	bar
Water flow	150	m <sup>3</sup> /hour
Water jet pump:		
Max. power at shaft	30	kW

Auger Head



Sand, slurry, gravel

### Auger Head

Max. power at shaft	33	kW
Oil flow	99	l/min
Oil pressure P at motor	200	bar



Delivery Pipe



Water Jet Pump



Hydraulic Power Pack



Marsh crawler



Maasstraat 3  
NL-7071 VR ULFT  
The Netherlands

Phone : 0 (031) 315 377 608  
Fax : 0 (031) 315 377 609  
Email : info@eureka-bv.com