

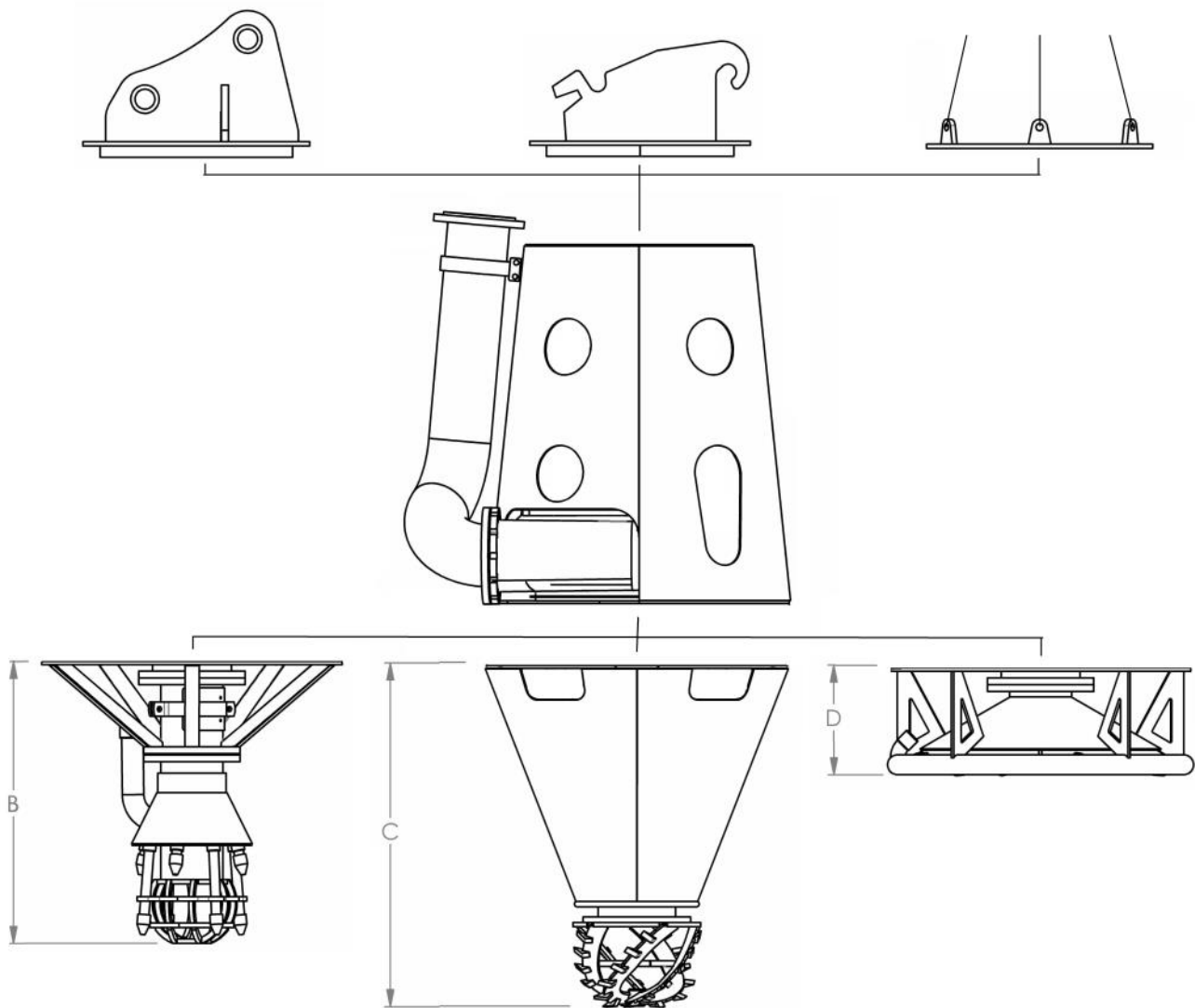
### Description:

The Eureka Barge Solutions with both WATER JET and CUTTER function can be used in soft and hard layers for the cleaning of rivers and ponds. The main advantage is the submersible dredge pump which is located on the excavator to generate the highest efficiency. Another advantage of this excavator solution is the possibility for the changing of the dredge system during work. So this Barge Solution is the perfect machine to dredge in an environment with a changing soil.

<b>Dredger range:</b>		<b>Barge 150</b>	<b>Barge 200</b>	<b>Barge 250</b>	<b>Barge 300</b>	<b>Barge 350</b>
Excavator version suction depth up to	[m]	12	12	12	12	12
Pump ladder version suction depth up to	[m]	50	50	50	50	50
Mixture	[m <sup>3</sup> /hr]	450	850	1250	1900	2300
Solid material*	[m <sup>3</sup> /hr]	58	109	160	244	295
Solid material*	[ton/hr]	101	191	281	427	517
Total power**	[kW]	100	185	255	425	470
Suction pipe Ø	[mm]	200	200	250	300	350
Delivery pipe Ø	[mm]	150	200	250	300	350
Spherical passage	[mm]	100	110	130	150	190
Waterjet flow	[m <sup>3</sup> /hr]	100	150	200	250	250
Waterjet pressure	[bar]	7	7	7	7	8
Cutter diameter	[mm]	350	450	550	650	700
Dry weight pump unit	[ton]	1.1	1.6	2.5	4.0	4.3
Excavator weight	[ton]	14	25	34	70	70
Pump ladder	[m]	Custom	Custom	Custom	Custom	Custom
Dimensions	[m]	Custom	Custom	Custom	Custom	Custom
*Solid material = 70% < 2 mm 20% 2 - 32 mm 10% > 32 mm				**Power = A-rating or Electric		
<b>Options:</b>						
Spuds up to 12 meter		Option	Option	Option	Option	Option
Spud carrier up to 12 meter		Option	Option	Option	Option	Option
Mooring winch		Option	Option	Option	Option	Option
Automatic Dredge control		Option	Option	Option	Option	Option
Cabin AC		Option	Option	Option	Option	Option
Toilet		Option	Option	Option	Option	Option
Powerpack		Option	Option	Option	Option	Option

# Barge Solutions

Main dimensions:



Metal Zodiac



Separation plant



Work pontoons



Conveyers

**EUREKA**  
www.eureka-bv.com

Maasstraat 3  
NL-7071 VR ULFT  
The Netherlands

Phone : 0 (031) 315 377 608  
Fax : 0 (031) 315 377 609  
Email : info@eureka-bv.com

All our quotations, all orders placed with us and all contracts concluded with us, are subject to the METAALUNIE CONDITIONS. These conditions are filed with the registrar of the District Court of Rotterdam. Upon request, the conditions of delivery and payment will be sent to you for free as well.